


<p>Blue Sky LK-02 36 Volt Controller Product Specifications</p>	<p>TNC Scooters</p>														
<p>Technical Parameters</p> <table border="1" style="width: 100%; border-collapse: collapse;"> <tr><td style="padding: 2px;">Rated Voltage</td><td style="padding: 2px;">36 Volts</td></tr> <tr><td style="padding: 2px;">Rated Current †</td><td style="padding: 2px;">30 Amps</td></tr> <tr><td style="padding: 2px;">Rated Motors</td><td style="padding: 2px;">≤ 800 Watts</td></tr> <tr><td style="padding: 2px;">Rated Efficiency</td><td style="padding: 2px;">95%</td></tr> <tr><td style="padding: 2px;">Rated Charger</td><td style="padding: 2px;">≤ 3.0 Amps</td></tr> <tr><td style="padding: 2px;">Under Voltage Protection ††</td><td style="padding: 2px;">30.5 Volts ± 0.5 Volts</td></tr> <tr><td style="padding: 2px;">Dimensions</td><td style="padding: 2px;">105 x 70 x 40 mm</td></tr> </table>	Rated Voltage	36 Volts	Rated Current †	30 Amps	Rated Motors	≤ 800 Watts	Rated Efficiency	95%	Rated Charger	≤ 3.0 Amps	Under Voltage Protection ††	30.5 Volts ± 0.5 Volts	Dimensions	105 x 70 x 40 mm	
Rated Voltage	36 Volts														
Rated Current †	30 Amps														
Rated Motors	≤ 800 Watts														
Rated Efficiency	95%														
Rated Charger	≤ 3.0 Amps														
Under Voltage Protection ††	30.5 Volts ± 0.5 Volts														
Dimensions	105 x 70 x 40 mm														

Wiring Specifications



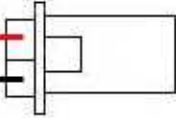


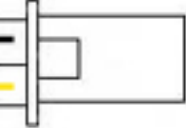


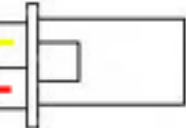
<p>Power Connector <i>§ - Required Connection</i></p>	<p>+ Positive (Red) </p> <p>- Negative (Black) </p> <p style="text-align: right;">To Battery</p>
<p>Motor Connector <i>§ - Required Connection</i></p>	<p>+ Positive (Blue) </p> <p>- Negative (Yellow) </p> <p style="text-align: right;">To Motor</p>
<p>Throttle Connector <i>§ - Required Connection</i></p>	<p>s - Signal (Blue) </p> <p>- Negative (Black) </p> <p>+ Positive (Red) </p> <p style="text-align: right;">To Throttle -OR- Derailler</p>
<p>Lock Connector <i>§ - Required Connection</i></p>	<p>(Blue) </p> <p>(Red) </p> <p style="text-align: right;">To Ignition Switch</p>
<p>Charger Connector</p>	<p>- Negative (Black) </p> <p>+ Positive (Red) </p> <p style="text-align: right;">To Charger</p>

Wiring Specifications continued on back...

† - The Rated Current prevents the motor current from exceeding the specified value avoiding damage to the motor and the controller due to over current conditions.

†† - The Under Voltage Protection circuit cuts off the battery output when battery voltage falls below the specified value.

Wiring Specifications – continued

Brake Lever Connector	<p>+ Positive (Red) </p> <p>- Negative (Black) </p>  <p>To Brake Lever</p>
Brake Lever Connector	<p>- Negative (Black) </p> <p>+ Positive (Yellow) </p>  <p>To Brake Lever</p>
Brake Light Connector	<p>- Negative (Yellow) </p> <p>+ Positive (Red) </p>  <p>To Brake Light</p>

§ - Connection required for the controller to function properly.
(Battery Connector, Motor Connector, Throttle Connector, Ignition Switch).

NOTES